

COMPRAG®

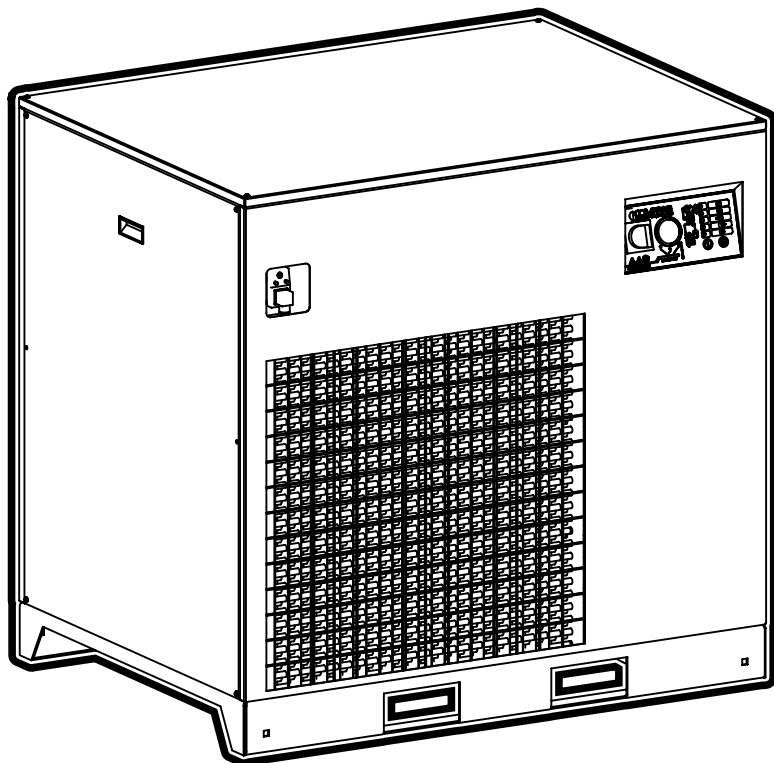
EN

COMPRESSED AIR REFRIGERATING DRYER

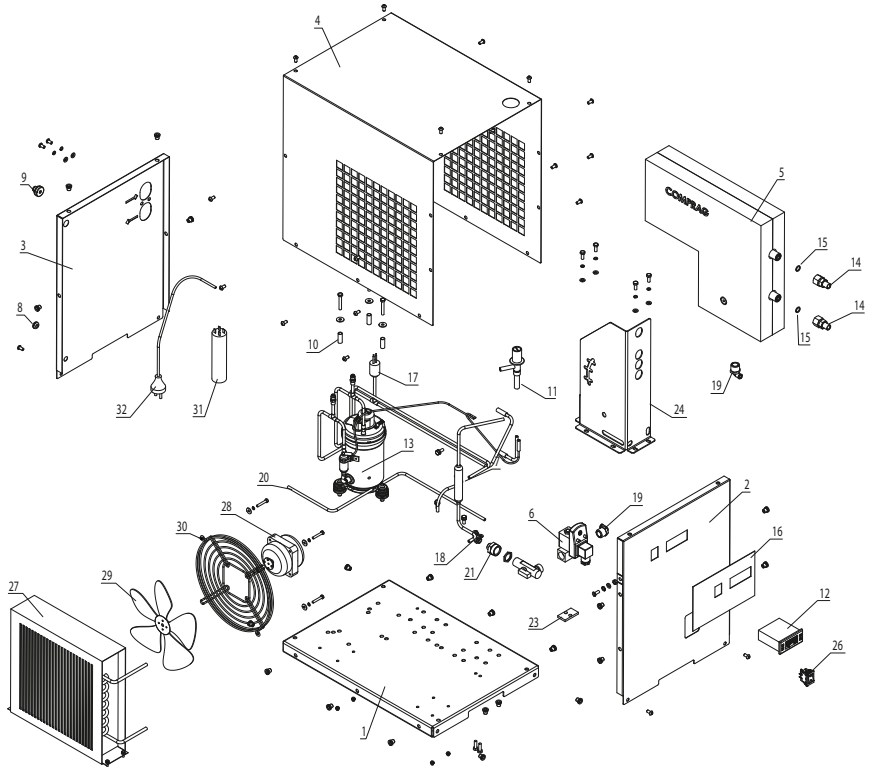
RDX series

SPARE PARTS LIST

Version 3.0



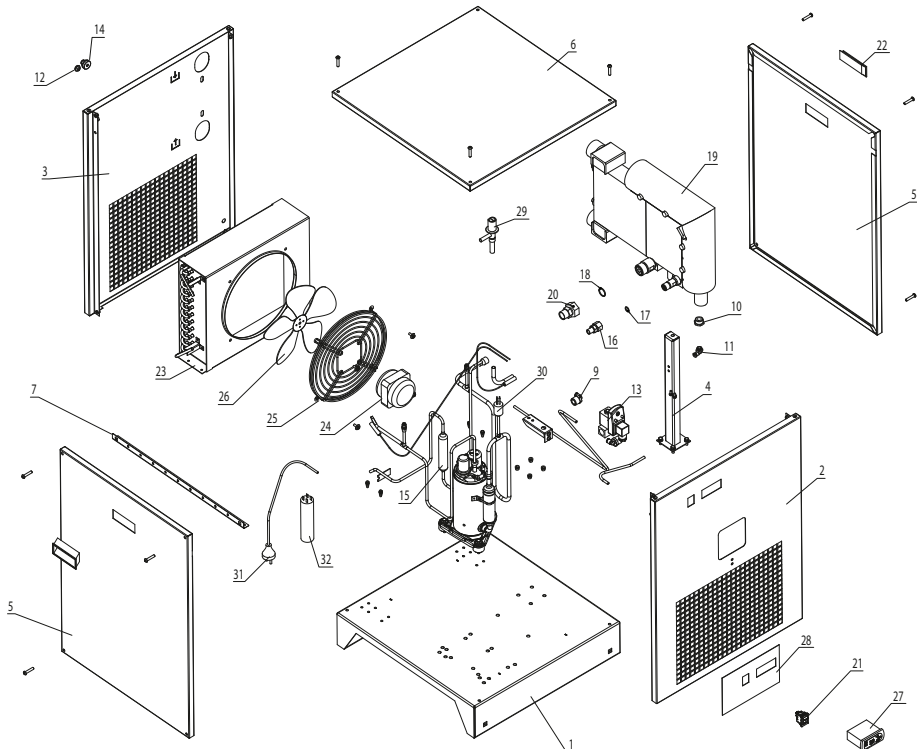
1. Spare parts list RDX06 - RDX18



Pos. No.	Artikele No.	Description	RDX06	RDX09	RDX12	RDX18
1	80100049	Baseframe	1	1	1	1
2	81000233	Panel front	1	1	1	1
3	81000234	Panel Backside	1	1	1	1
4	83400070	Body	1	1	1	1
5	21010032	Heat-Exchanger	1			
5	21010033	Heat-Exchanger		1	1	
5	21010034	Heat-Exchanger				1
6	13300010	Drain valve	1	1	1	1
7	27050001	Filter	1	1		
7	27050002	Filter			1	1
8	90852088	Input	1	1	1	1

Pos. No.	Artikele No.	Description	RDX06	RDX09	RDX12	RDX18
9	33550001	Sleeve	1	1	1	1
10	86000014	Vibration damper	3	3	3	3
11	27010043	Bypass valve	1	1	1	1
12	32030030	Controller	1	1	1	1
13	27021001	Compressor	1			
13	27021002	Compressor		1		
13	27021003	Compressor			1	
13	27021004	Compressor				1
14	27090001	Adapter	2	2	2	2
15	67000013	Gasket	2	2	2	2
16	27070012	Sticker	1	1	1	1
17	32020036	Pressure relay	1	1	1	1
18	51100004	Fitting	1	1	1	1
19	51100027	Fitting	2	2	2	2
20	41102002	Hose	1	1	1	1
21	52130013	Coupling	1	1	1	1
23	81400024	Plate	1	1	1	1
24	80300069	Rack	1	1	1	1
26	33010008	Switch	1	1	1	1
27	27030022	Condenser	1			
27	27030023	Condenser		1		
27	27030024	Condenser			1	
27	27030025	Condenser				1
28	21301101	Fan electric motor	1			
28	21301102	Fan electric motor		1		
28	21301103	Fan electric motor			1	1
29	21301201	Fan	1			
29	21301202	Fan		1		
29	21301203	Fan			1	1
30	21301301	Fan grid	1			
30	21301302	Fan grid		1		
30	21301303	Fan grid			1	1
31	27025001	Condenser 7,5μ	1	1		
31	27025002	Condenser 15μ			1	1
32	34020018	Electric plug	1	1	1	1

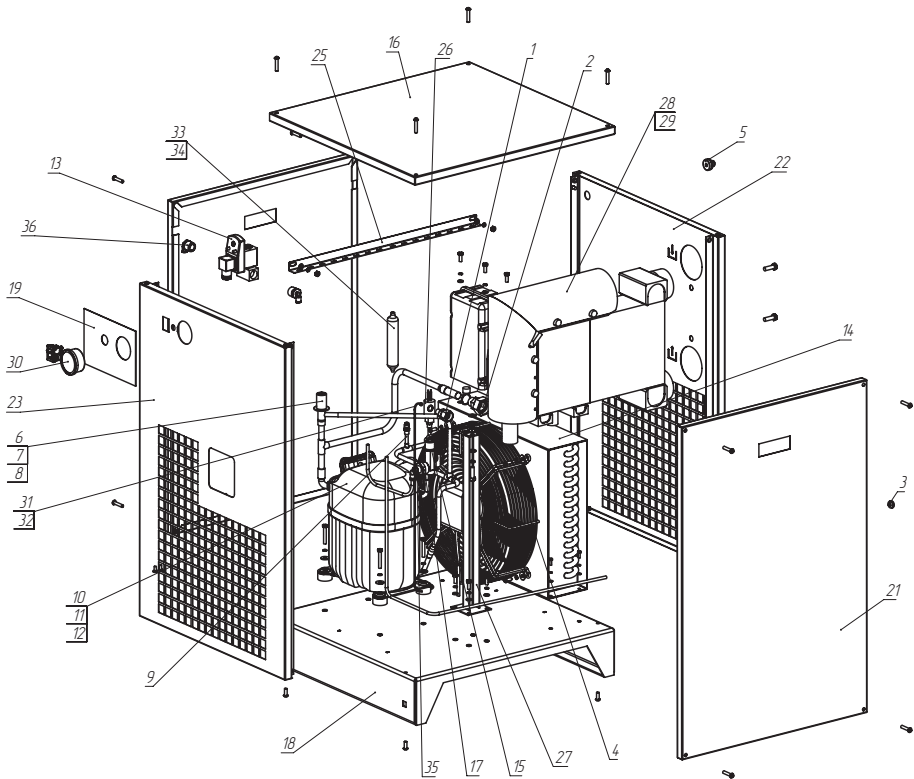
2. Spare parts list RDX24 - RDX41



Pos. No.	Artikele No.	Description	RDX24	RDX30	RDX36	RDX41
1	80100017	Baseframe	1	1	1	1
2	81000101	Panel front	1	1	1	1
3	81000102	Panel Backside	1	1	1	1
4	80300048	Rack	1	1	1	1
5	81000100	Panel left	2	2	2	2
6	81100033	Panel top	1	1	1	1
7	82400018	Bracket	1	1	1	1
8	27021005	Compressor	1			
8	27021006	Compressor		1		
8	27021007	Compressor			1	1
9	51100027	Fitting	2	2	2	2

Pos. No.	Artikele No.	Description	RDX24	RDX30	RDX36	RDX41
10	52130013	Closing plug	1	1	1	1
11	51100004	Fitting	1	1	1	1
12	90852088	Input	1	1	1	1
13	13300010	Drain valve	1	1	1	1
14	33550001	Sleeve	1	1	1	1
15	27050002	Filter	1	1	1	1
16	27090001	Adapter	1	1	1	1
17	67000013	Gasket	1	1	1	1
18	67000014	Gasket	1	1	1	1
19	21010015	Heat-Exchanger	1	1		
19	21010016	Heat-Exchanger			1	1
20	27090002	Adapter	1	1	1	1
21	33010008	Switch	1	1	1	1
22	90204012	Knob	2	2	2	2
23	27030026	Condenser	1			
23	27030027	Condenser		1		
23	27030028	Condenser			1	
23	27030029	Condenser				1
24	21301104	Fan electric motor	1			
24	21301105	Fan electric motor		1		
24	21301106	Fan electric motor			1	
24	21301107	Fan electric motor				1
25	21301303	Fan grid	1	1		
25	21301304	Fan grid			1	1
26	21301203	Fan	1			
26	21301204	Fan		1		
26	21301205	Fan			1	
26	21301206	Fan				1
27	32030030	Controller	1	1	1	1
28	27070012	Sticker	1	1	1	1
29	27010044	Valve	1	1	1	1
30	32020037	Pressure relay	1	1	1	1
31	34020018	Electric plug	1	1	1	1
32	27025002	Condenser 15 μ	1			
32	27025003	Condenser 20 μ		1	1	1

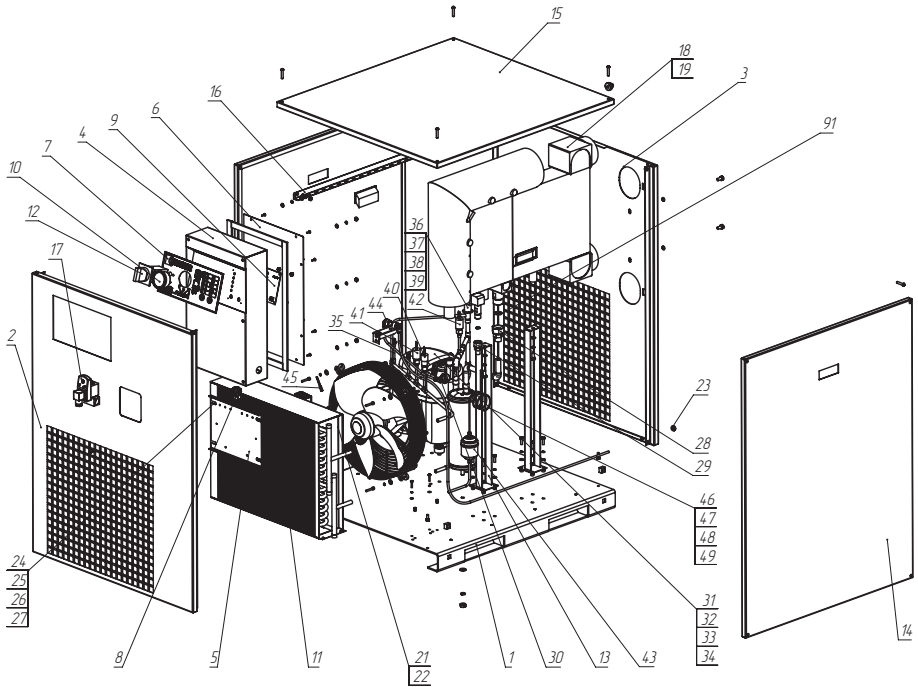
3. Spare parts list RDX52 - RDX77



Pos. No.	Artikele No.	Description	RDX52	RDX65	RDX77
1	27090001	Fitting	1	1	1
2	27090002	Fitting	1	1	1
3	90852088	Grommet	1	1	1
4	21300033	Fan	1	1	1
5	33550001	Grommet	1	1	1
6	27010018	Bypass valve	1		
7	27010019	Bypass valve		1	
8	27010020	Bypass valve			1
9	27010002	Schrader valve	3	3	3
10	27020008	Compressor	1		

Pos. No.	Artikele No.	Description	RDX52	RDX65	RDX77
11	27020009	Compressor		1	
12	27020015	Compressor			1
13	13300010	Drain valve	1	1	1
14	27030005	Condenser	1	1	1
15	52120009	Lock-nut	1	1	1
16	81100035	Panel top	1	1	1
17	52130013	Coupling	1	1	1
18	80100018	Baseframe	1	1	1
19	27070009	Graphic panel	1	1	1
21	81000103	Panel left	2	2	2
22	81000105	Panel Backside	1	1	1
23	81000199	Panel front	1	1	1
24	33010008	ON/OFF Switch	1	1	1
25	82400019	Support	1	1	1
26	32020006	Pressure relay	1	1	1
27	80300049	Support	1	1	1
28	21010017	Heat exchanger	1		
29	21010018	Heat exchanger		1	1
30	51202007	Temperature indicator	1	1	1
31	70250011	Capillary tube	1,3m	1,06m	
32	70250017	Capillary tube			2,5m
33	27050002	Filter	1		
34	27050004	Filter		1	1
35	51100004	Pneumatic fitting	1	3	3
36	51100027	Pneumatic fitting	2	2	2

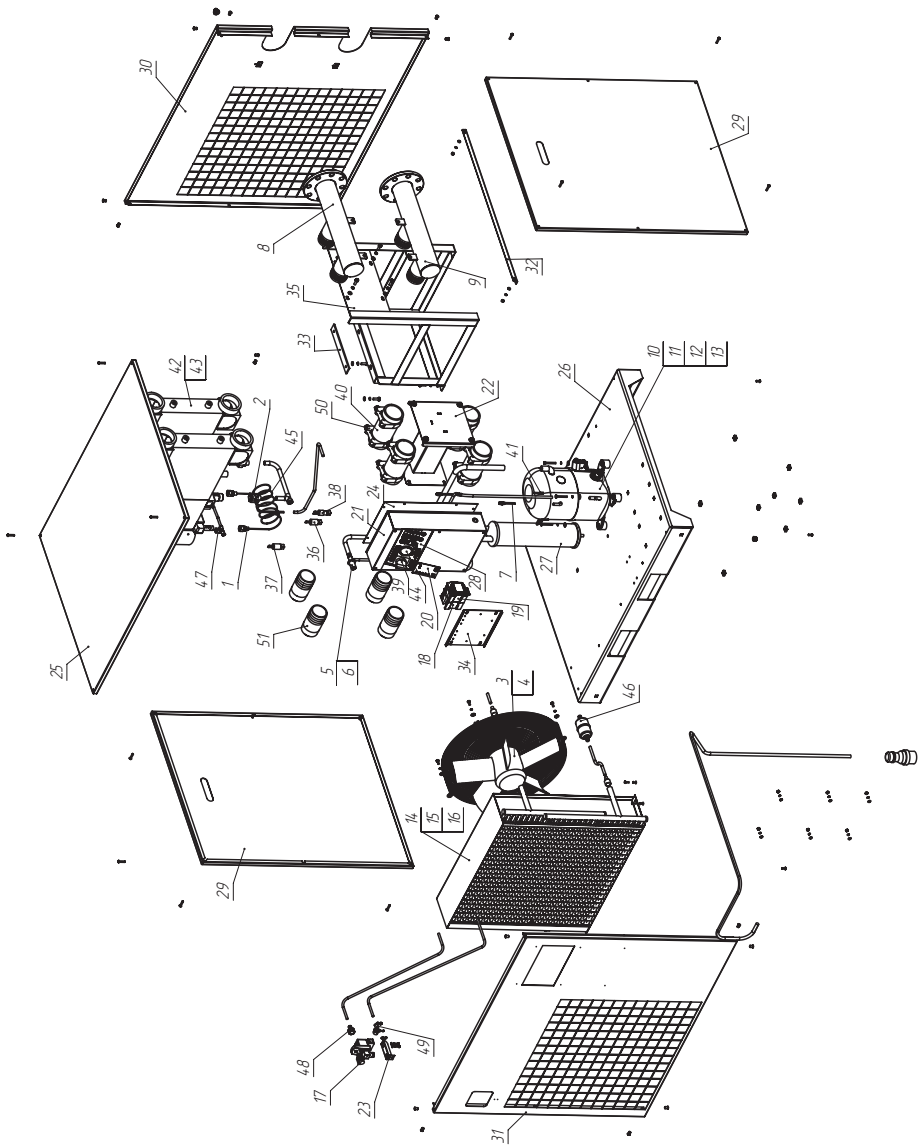
4. Spare parts list RDX100 - RDX180



Pos. No.	Artikele No.	Description	RDX100	RDX120	RDX150	RDX180
1	80100019	Baseframe	1	1	1	1
2	81000107	Panel front	1	1	1	1
3	81000108	Panel Backside	1	1	1	1
4	83400011	El. Cabinet	1	1	1	1
5	86900012	Support	1	1	1	1
6	81100038	Panel top	1	1	1	1
7	27070003	Graphic panel	1	1	1	1
8	33030002	Gland entry	4	7	7	7
9	32030006	Controller	1	1	1	1
10	51202007	Temperature indicator	1	1	1	1
11	35010011	Contactator	2	2	2	2
12	32060001	ON/OFF Switch	1	1	1	1
13	80300065	Support	2	2	2	2
14	81000106	Panel side	2	2	2	2

Pos. No.	Artikele No.	Description	RDX100	RDX120	RDX150	RDX180
15	81100037	Panel top	1	1	1	1
16	82400020	Support	1	1	1	1
17	13300010	Drain valve	1	1	1	1
18	21010019	Heat exchanger	1	1		
19	21010020	Heat exchanger			1	1
20	27100001	Separator	1	1	1	1
21	21300035	Fan	1	1		
22	21300036	Fan			1	1
23	90852088	Grommet	1	1	1	1
24	27030008	Condenser	1			
25	27030009	Condenser		1		
26	27030010	Condenser			1	
27	27030011	Condenser				1
28	27090002	Fitting	1	1	1	1
29	27090001	Fitting	1	1	1	1
30	51100004	Pneumatic fitting	1	3	3	3
31	27020016	Compressor	1			
32	27020019	Compressor		1		
33	27020012	Compressor			1	
34	27020013	Compressor				1
35	27010002	Schrader valve	5	5	5	5
36	27010021	Bypass valve	1			
37	27010022	Bypass valve		1		
38	27010023	Bypass valve			1	
39	27010024	Bypass valve				1
40	32020017	Pressure relay	1	1	1	1
41	32020006	Pressure relay	1	1	1	1
42	32020016	Pressure relay	1	1	1	1
43	27050004	Filter	1	1	1	1
44	51100027	Pneumatic fitting	2	2	2	2
45	32020030	Temperature relay	1	1	1	1
46	70250017	Capillary tube	1,86m			
47	70250017	Capillary tube		1,26m		
48	70250017	Capillary tube			1,06m	
49	70250017	Capillary tube				0,74m

5. Spare parts list RDX200 - RDX360



Pos. No.	Artikele No.	Description	RDX200	RDX240	RDX300	RDX360
1	27090001	Fitting	2	2	2	2
2	27090002	Fitting	2	2	2	2
3	27010025	Fan	1	1		
4	21300039	Fan			1	1
5	27010025	Bypass valve	1	1		
6	21300039	Bypass valve			1	1
7	27010002	Schrader valve	5	5	5	5
8	83300009	Collector	1	1	1	1
9	83300010	Collector	1	1	1	1
10	27020013	Compressor	1			
11	27020014	Compressor		1		
12	27020020	Compressor			1	
13	27020021	Compressor				1
14	27030013	Condenser	1	1		
15	27030014	Condenser			1	
16	27030015	Condenser				1
17	13300010	Drainvalve	1	1	1	1
18	35010011	Contactora	1	1	1	1
19	35010001	Contactora	1	1	1	1
20	32030006	Controller	1	1	1	1
21	80800032	El. Cabinet	1	1	1	1
22	80300072	Bracket	1	1	1	1
23	80600047	Bracket	1	1	1	1
24	81100076	Cap	1	1	1	1
25	81100064	Cap	1	1	1	1
26	80100036	Baseframe	1	1	1	1
27	27100002	Separator	1	1	1	1
28	27070003	Panel	1	1	1	1
29	81000171	Panel side	2	2	2	2
30	81000173	Panel Backside	1	1	1	1
31	81000172	Panel front	1	1	1	1
32	82400046	Plank	1	1	1	1
33	81400023	Plate	1	1	1	1
34	86900012	Support	1	1	1	1

Pos. No.	Artikele No.	Description	RDX200	RDX240	RDX300	RDX360
35	83900024	Frame	1	1	1	1
36	32020006	Pressure relay	1	1	1	1
37	32020016	Pressure relay	1	1	1	1
38	32020017	Pressure relay	1	1	1	1
39	32060001	ON/OFF Switch	1	1	1	1
40	41200007	Hose	1 m	1 m	1 m	1 m
41	32020030	Temperature relay	1	1	1	1
42	21010019	Heat exchanger	2	2		
43	21010019	Heat exchanger			2	2
44	51202007	Temperature indicator	1	1	1	1
45	70250017	Capillary tube	3,62 m	2,52 m	2,12 m	1,48 m
46	27050005	Filter	1	1	1	1
47	51100028	Fitting	1	1	1	1
48	51100030	Fitting	1	1	1	1
49	51100029	Fitting	2	2	2	2
50	90100014	Clamp	8	8	8	8
51	82200002	Fitting	4	4	4	4