

COMPRAG®

EN

Mechanical Float Drain Valve FD

FD-Series

Operating Manual

Version 3.1

RU

Конденсатоотводчик

поплавкового типа

FD серия

РУКОВОДСТВО ПО ЭКСПЛУАТАЦИИ

Версия 3.1

стр. 26

DE

Mechanisches

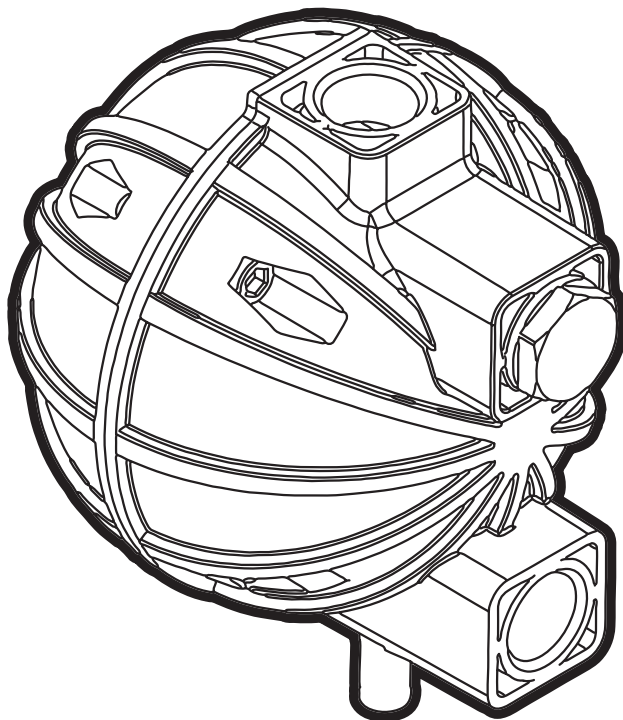
Schwimmer-Ablassventil

FD-Serie

Bedienungsanleitung

Version 3.1

Seite 14



© Comrag ®. All rights reserved.

No part of the text and /or diagram may be reprinted or used without the prior written permission of Comrag.

The manufacturer reserves the right to make changes to a product design in order to enhance its technological and operational parameters without notifying the user.




The product type may considerably differ to that displayed in documents.

Table of content


1	Safety guidelines	4
2	Technical data and functional description	8
3	Start up	11
4	Maintenance	13
5	Storage conditions	13


1. Safety guidelines

1.1 Symbols used in the instructions.

	Lethal hazard.
	Warning.
	Attention.

1.2 General safety guidelines.

	Carefully familiarise yourself with the technical documentation, operating instructions and safety guidelines. Most accidents associated with the use of compressor equipment occur as a result of non-compliance with safety guidelines. Prevent hazards from developing and adhere to the safety guidelines. The main rules are given in the following section.
---	---

	The user is solely liable for injuries or damages which occur due to non-compliance with safety guidelines during installation, operation or servicing, as well as unauthorised use of equipment!
---	---

1. The operator must stringently adhere to safety guidelines provided for by these instructions and local legislation!
2. When choosing between these safety guidelines and the regulations provided for by local legislation, those rules which provide for more stringent requirements shall apply.
3. Only trained maintenance personnel with the relevant level of professional training are permitted to operate, service and repair Comprag equipment.
4. Compressed air flowing immediately from the compressor may contain oil and impurities and is not suitable for breathing! Compressed air has to be purified to an air purity grade suitable for breathing, in accordance with the standards prescribed by local legislation.
5. Compressed air is an extremely hazardous energy source. Compressed air must not be used for unintended purposes! Do not use it to clean clothing and footwear and never point

compressed air hoses at people and animals! When using air to clean equipment, take extra caution and wear safety goggles!

6. All maintenance, repair, setup and installation work etc. must be performed while the equipment is turned off, disconnected from the power source, with compressed-air hoses disconnected from the equipment, and with the use of safety goggles! Ensure that equipment is disconnected from the compressed air system and is not under pressure.

1.3 Safety precautions for start-up



The user is solely liable for injuries or damages which occur due to non-compliance with safety guidelines during installation, operation or servicing, as well as unauthorised use of equipment!

1. Equipment must only be unloaded/loaded using the appropriate handling devices or hoisters. Equipment must not be manually lifted or moved. Do not leave equipment suspended. Use a helmet during unloading operations.
2. Arrange the equipment in a dry and clean facility which provides shelter from precipitation. The facility must be well ventilated, and forced ventilation should be provided if necessary.
3. Worn, damaged or spoiled compressed-air hoses should not be used. Ensure that hoses correspond to the equipment in terms of nominal diameter and working pressure.
4. Explosive and fire-hazardous admixtures such as solvent vapours and carbon dust etc. must not be released into the atmosphere.
5. Ensure unrestricted access to the compressed-air hose from the compressor. Do not clutter it and do not store flammable materials in its immediate vicinity.
6. Do not pinch or deform the compressed-air feed hoses.
7. Do not cover holes used to provide equipment with air for cooling. Ensure the facility is well ventilated.
8. When using remote control, the equipment must give a legible and clear warning of this: 'ATTENTION: this machine is being controlled remotely and may start operating without warning!' An operator who is remotely controlling equipment must ensure that no installation or other work is being performed with the equipment at that moment. Once the equipment is turned off remotely, the operator must ensure that the equipment is actually turned off!
9. Equipment must be earthed. Provide short-circuit protection. The starting knife switch must be in the immediate vicinity of the equipment and protect against unauthorised start-up.



The user bears full responsibility for compliance with the operating conditions of the electrical motor installed in the equipment. Equipment must be used with protection devices. The protection devices must protect the electric motor from short circuits, overloading (systematic and start-up) and open-phase conditions. Installation of protection devices is the responsibility of the user.

1.4 Safety precautions during operation



The user is solely liable for injuries or damages which occur due to non-compliance with safety guidelines during installation, operation or servicing, as well as unauthorised use of equipment!

1. Ensure that hoses correspond to the equipment in terms of nominal diameter and working pressure. Check the attachment of every hose coupling before start-up. An insecurely fastened hose may cause serious injury.
2. Never turn on equipment if you suspect the presence of highly flammable impurities in the air!
3. The operator remotely controlling equipment must ensure that no installation or other work is being performed with the equipment at that moment! An information plate must be affixed to the equipment in relation to this: 'ATTENTION: this machine is being controlled remotely and may start operating without warning!'
4. An operator is not allowed to operate equipment if the operator is fatigued, in a state of intoxication from alcohol, drugs or medicine that reduces the body's reaction time.
5. The equipment must not be operated if parts of the casing have been removed. Doors or panels may be opened for short durations for inspection and scheduled checks. It is advisable to wear hearing protection.



In some types of equipment, open doors or removal of panels during operation may lead to overheating.

6. Personnel in conditions or a facility where the sound pressure level reaches or exceeds 90 dB (A), must wear ear protectors.
7. If the air used for cooling equipment is used while the facility is being heated, undertake measures for it to be filtered so that it is suitable for breathing.

8. Regularly check that:

- safety devices and attachments are in place;
- all hoses and pipes are in good condition and sealed;
- there are no leaks;
- brackets and structural components are tightened;
- all electrical cables and contacts are in good condition and safe to use;
- safety devices are fully functional and there is no contamination etc;
- all structural components are in working order, with no signs of wear and tear.

1.5 Safety precautions for maintenance and repair




The user is solely liable for injuries or damages which occur due to non-compliance with safety guidelines during installation, operation or servicing, as well as unauthorised use of equipment!

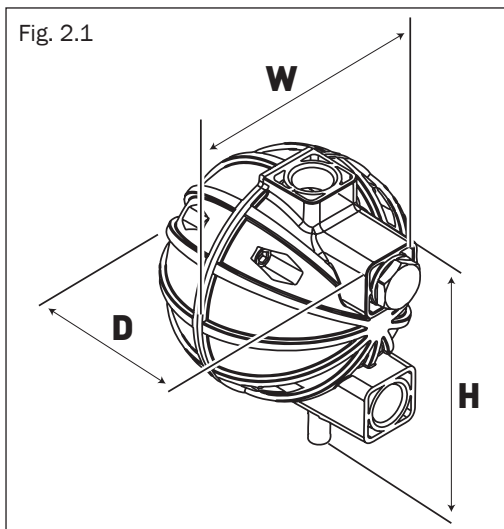
1. Only original spare parts and ancillary items may be used. Using spare parts from other manufactures may lead to unpredictable results and consequently accidents.
2. When performing installation and repair work, always wear goggles!
3. Before connecting or disconnecting equipment, disconnect it from the main pneumatic system. Ensure that the hoses aren't under pressure!
4. Before beginning installation or other work, ensure that equipment is not pressurised. Installation work must not be carried out on equipment under pressure.
5. All maintenance work should be carried out only when the temperature of all structural elements falls to room temperature.
6. Never use highly flammable solvents or carbon tetrachloride for cleaning structural elements. When wiping, take precautions against the poisonous vapours of cleaning fluids.
7. Maintain cleanliness in the facility where the equipment is installed. Close open inlets and outlets during installation with dry clothes or paper to prevent rubbish entering the equipment.
8. Welding or other similar operations must not be carried out in the immediate vicinity of the equipment and vessels under pressure.
9. If there is any suspicion of overheating, combustion or other emergency, turn off the equipment. Immediately disconnect it from the power supply. Do not open the doors of equipment until the temperature falls to room temperature, in order to prevent burns or injury.
10. Naked flames must not be used as a light source for inspecting and checking equipment.

11. Never use caustic solvents, which may damage materials of the pneumatic system.
12. After performing installation or other work, ensure that no instruments, rags or spare parts have been left inside the equipment.
13. When replacing filters, separators etc., wipe away dust, dirt and oil residue from the area where they are installed with a dry cloth.
14. Protect the motor, air filter, electrical components and control components etc. from coming into contact with condensate. For instance, blow down with dry air.
15. Use protective gloves during installation and repair work in order to avoid burns and injury (for instance, during oil change).

2. Technical data and functional description

	<p>Entitlement to free handling of faults arising during the guarantee period is forfeited when:</p> <ul style="list-style-type: none"> - No warranty service coupon for the compressor or it is filled out incorrectly - No records for the compressor's scheduled maintenance are entered in the compressor's service book - Unoriginal parts and lubricants are used
---	--

2.1 Technical data



Max. operating pressure: 12 bar
 Max. operating temperature: 50 °C
 Min. operating temperature: 1,5 °C

Tab. 1 Technical data

Operation pressure range	0 – 13 bar
Minimum recommended operating pressure	1,5bar (g)
Drain capacity (7 bar)	2,8 l/min
Drain capacity (13 bar)	3,4 l/min
Operating temperature range	1,5 – 50 °C
Operating media	Condensate (air, water, oil); Non-agressive
Inlet connection	G ½"
Outlet connection	G ½"
Reservoir volume	0,4 l
Mass	0,5 kg
Dimensions W x H x D [mm]	115 x 141 x 12
Valve type	Direct acting, Normally closed

2.2 General description

A FD floating drain valve is the most effective of all solutions to the conclusion of the condensate system. It works without any loss of compressed air, is easy to install and requires no power connection. It is equipped with a valve for flushing the system and functional testing and control.

2.3 Function diagram and main components

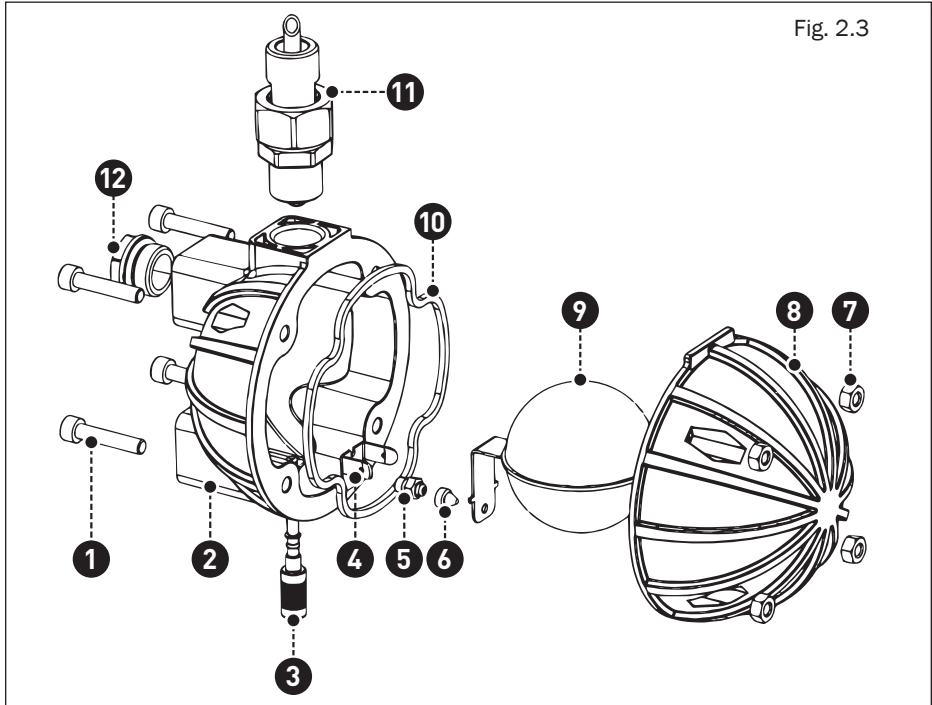


Fig. 2.3

- | | |
|--------------------|---------------------------------|
| 1. M6 screws | 7. M6 Nuts |
| 2. Drain housing | 8. Drain housing |
| 3. Test lever | 9. Floater |
| 4. Floater holder | 10. Housing sealing |
| 5. Sealing nipple | 11. Connector nipple (optional) |
| 6. Orifice sealing | 12. 1/2" Plug with O-ring |

2.4 Features:



- Works with oil contaminated condensate.
- Works without loss of compressed air.
- Does not require a power connection.
- Easy installation.
- Reliable and durable design.

Drain is installed below pressure vessel, filter element, dryer, cyclone separator or similar pressure system element. Through G 1/2" upper inlet port on the top condensate accumulates in the drain

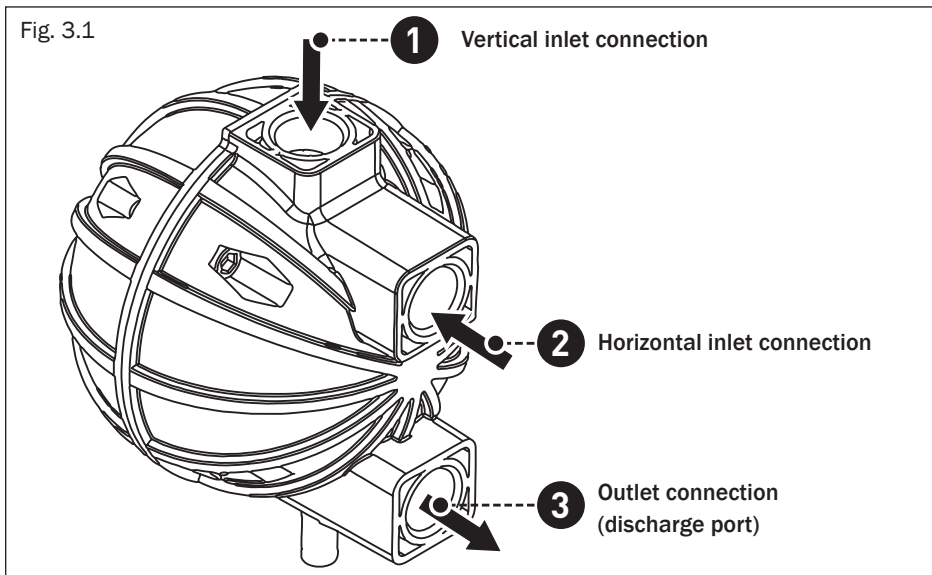
reservoir. Increasing water level rise the floating buoyancy. When the condensate level is high enough the floater unblocks the discharge orifice and the condensate is purged out through G 1/2" output connection. When condensate level drops floater drops with it and blocks the discharge orifice. This operation prevents air loss.

3. Start up

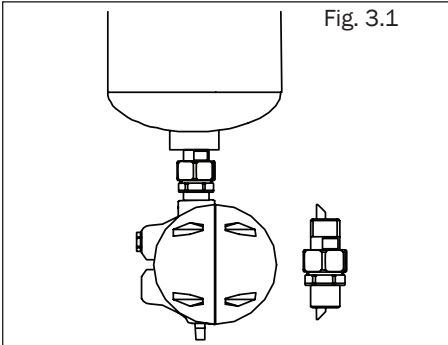
3.1 Safety check

	It is recommended to clean drain reservoir at least once a year. Sealing elements are subject to wear, which depends on various operating parameters such as pressure, temperature, dirt content, etc. It is also recommended to change the sealings.
	At least once a week check if condensate drain operates regularly.

Drain Valve has two possible inlet connections (horizontal and vertical). Based on the amount of space under the pressure equipment choose one of the options to connect the drain.

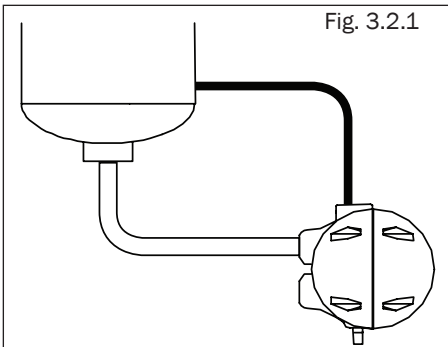


3.2 Vertical inlet connection

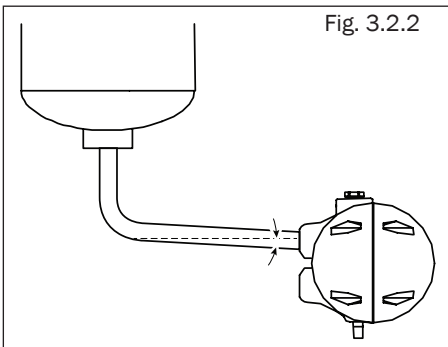


Connect drain on the vertical inlet connection and plug the horizontal second connection. When used this way it is recommended to use appropriate nipple to assure a constant flow of a condensate to a reservoir of the drain. Nipple prevents creation of air bubbles which blocks the path for condensate to flow in the reservoir. Air trapped in the reservoir of a drain can pass back to a pressure equipment through intended pipe in the nipple allowing condensate to flow in.

3.3 Horizontal inlet connection



Use vertical connection to mount venting line back to pressure equipment (e.g. pressure vessel). Venting line prevents creation of air bubbles assuring constant flow of condensate to the drain.



When no venting line is used. A drainage pipe must be inclined towards the condensate drain so the air can escape from the pipe and drain.

The connection receiver-nipple of the FD floating drain valve must be done without any extra pipe or filter. After initial run, open FD floating drain valve and clean all components. It is strongly recommended that waste condensate from discharge port is connected to water treatment application, such as WOS series water oil separator, to protect the environment from pollution and to comply with environmental laws.

Once per year make a visual check of the drain and make sure there is no visual damage or leakage. Clean interior of the reservoir regularly. Intervals of cleaning depend on contamination of condensate. Replace the sealings if necessary.

3.4 Requirements on installation facility



Install the unit in a facility where precipitation cannot reach. Choose a facility for installing the unit with a minimum level of dust.

4. Maintenance

WEEKLY:

- Open (screw carefully) the discharge valve and let the condensate flow out until the compressed air will blow through for few seconds. If a significant amount of water (more than 0.5 litres) exits the valve and the drain must be thoroughly cleaned.

YEARLY:

- Dismantle the drain and clean all components. Do not use solvents to clean rubber components.

5. Storage Conditions

The FD floating drain valve should be stored at a dry place with moderate climate.

© Comrag ®. Alle Rechte vorbehalten

Die Textteile, Abbildungen, Tabellen und Diagramme dürfen nicht ohne Genehmigung der Comrag GmbH kopiert oder veröffentlicht werden.

Alle bisherigen Bedienungsanleitungen verlieren mit der Veröffentlichung der neuen Bedienungsanleitungen ihre Gültigkeit.

Technische Daten, Spezifikationen und Details dieser Bedienungsanleitung können ohne vorherige Ankündigung geändert werden.




Comrag GmbH

Inhalt


1	Sicherheitsrichtlinien	16
2	Technische Daten und Funktionsbeschreibung	21
3	Inbetriebnahme	23
4	Wartung	25
5	Lagerbedingungen	25


1. Sicherheitsrichtlinien

1.1 Verwendete Symbole.

	Warnung.
	Achtung.
	Hinweis.

1.2 Allgemeine Sicherheitsrichtlinien.

	Machen Sie sich sorgfältig mit den technischen Dokumenten, Betriebsanleitungen und Sicherheitsrichtlinien vertraut. Ein Großteil der Unfälle im Umgang mit Kompressoranlagen ist auf Nichteinhaltung von Sicherheitsrichtlinien zurückzuführen. Vermeiden Sie unnötige Risiken und halten Sie sich an die Sicherheitsrichtlinien. Die wichtigsten Regeln sind im Folgenden beschrieben.
---	---

	Der Benutzer trägt die volle Verantwortung für Verletzungen oder Schäden, die während der Montage, des Betriebs, der Wartung sowie aufgrund von unberechtigter Nutzung der Anlage auftreten.
---	--

1. Der Betreiber hat die in diesen Anweisungen sowie in den geltenden gesetzlichen Vorschriften enthaltenen Sicherheitsrichtlinien genauestens einzuhalten!
2. Bei Überschneidungen der Sicherheitsrichtlinien mit der örtlichen Gesetzgebung gelten stets die strengeren Vorschriften.
3. Nur Wartungspersonal mit entsprechender Berufsausbildung ist es gestattet, Comprac-Anlagen zu bedienen, zu warten und zu reparieren.
4. Druckluft, die direkt vom Kompressor kommt, kann Öl und Verunreinigungen enthalten und ist nicht als Atemluft geeignet! Druckluft muss in Übereinstimmung mit den geltenden gesetzlichen Vorschriften auf einen zur Atmung geeigneten Luftreinheitsgrad gebracht werden.
5. Druckluft ist ein äußerst gefährliches Medium. Druckluft darf niemals unsachgemäß verwendet werden! Verwenden Sie niemals Druckluft, um Kleidung oder Schuhe zu reinigen und zielen Sie mit Druckluftschläuchen niemals auf Menschen oder Tiere! Bei der Reinigung von Geräten mit Druckluft ist äußerste Vorsicht geboten. Tragen Sie dabei immer eine Schutzbrille!

6. Wartungs-, Reparatur-, Aufbau-, und Montagearbeiten dürfen nur durchgeführt werden, wenn das Gerät ausgeschaltet ist, von der Stromquelle getrennt ist, die Druckluftschläuche vom Gerät getrennt sind und beteiligte Personen Schutzbrillen tragen. Stellen Sie sicher, dass die Anlage vom Druckluftsystem getrennt ist und nicht unter Druck steht.

1.3 Sicherheitshinweise für die Inbetriebnahme.



Der Benutzer trägt die volle Verantwortung für Verletzungen oder Schäden, die während der Montage, des Betriebs, der Wartung sowie aufgrund von unberechtigter Nutzung der Anlage auftreten.

1. Anlagen dürfen ausschließlich mit entsprechenden Handhabungsgeräten oder Kränen auf-/abgeladen werden. Anlagen dürfen nicht von Hand angehoben oder bewegt werden. Anlagen niemals an Hebezeugen o. Ä. hängen lassen. Beim Abladen immer einen Helm tragen.
2. Stellen Sie die Anlagen in einem trockenen und sauberen Gebäude auf, wo sie vor Niederschlag geschützt sind. Das Gebäude muss ausreichend und bei Bedarf durch Fremdbelüftung belüftet sein.
3. Abgenutzte, beschädigte oder defekte Druckluftschläuche dürfen nicht verwendet werden. Stellen Sie sicher, dass die verwendeten Schläuche hinsichtlich Durchmesser und Betriebsdruck für die jeweiligen Geräte geeignet sind.
4. Sind in einem System mehrere Kompressorstationen vorhanden, benötigt jeder Kompressor ein von Hand betätigtes Ventil zum Abschalten der einzelnen Kompressoren für Notfälle.
5. Explosive und leicht entzündliche Substanzen wie Lösungsmitteldämpfe, Kohlenstaub etc. dürfen keinesfalls in die Atmosphäre freigesetzt werden.
6. Sorgen Sie für ungehinderten Zugang zum Druckluftschlauch vom Kompressor. Der Schlauch sollte nicht verdeckt sein und es dürfen keine brennbaren Materialien in unmittelbarer Nähe gelagert werden.
7. Druckluftschläuche dürfen nicht gequetscht oder verformt werden.
8. Lüftungsöffnungen von Anlagen dürfen nicht abgedeckt werden. Achten Sie darauf, dass das Gebäude gut belüftet ist.
9. Bei Verwendung einer Fernsteuerung muss folgende Warnung gut sichtbar und lesbar am Gerät vorhanden sein: „ACHTUNG: Diese Maschine ist ferngesteuert und kann ohne Vorwarnung anlaufen!“ Ein Bediener, der das Gerät fernsteuert, muss sicherstellen, dass zu dem Zeitpunkt keine Montage- oder anderen Arbeiten an der Anlage durchgeführt werden. Wurde das Gerät per Fernsteuerung abgeschaltet, muss der Bediener sicherstellen, dass das Gerät auch tatsächlich ausgeschaltet ist!
10. Anlagen müssen geerdet sein. Kurzschlusschutzvorrichtungen müssen vorhanden sein. Der Not-Aus-Taster muss sich in unmittelbarer Nähe des Geräts befinden und gegen unberechtigte Inbetriebnahme schützen.



Der Benutzer trägt die volle Verantwortung für den ordnungsgemäßen Betrieb des in der Anlage vorhandenen Elektromotors. Anlagen sind nur mit entsprechenden Schutzvorrichtungen zu betreiben. Die Schutzvorrichtungen müssen den Elektromotor vor Kurzschlüssen, Überlast (systematisch und bei der Inbetriebnahme) und Phasenausfall schützen. Die Montage von Schutzvorrichtungen liegt in der Verantwortung des Benutzers.

11. Sämtliche Tanks und Behälter, die unter Druck stehen, müssen mit Sicherheitsventilen ausgestattet sein! Die unerlaubte Montage, Demontage oder Verstellung der vorhandenen Sicherheitsventile ist nicht gestattet.

1.4 Sicherheitshinweise für den Betrieb



Der Benutzer trägt die volle Verantwortung für Verletzungen oder Schäden, die während der Montage, des Betriebs, der Wartung sowie aufgrund von unberechtigter Nutzung der Anlage auftreten.

1. Stellen Sie sicher, dass die verwendeten Schläuche hinsichtlich Durchmesser und Betriebsdruck für die jeweiligen Geräte geeignet sind. Überprüfen Sie die einzelnen Schlauchanschlüsse vor der Inbetriebnahme auf festen Sitz. Eine lose Schlauchverbindung kann schwere Verletzungen verursachen.

2. Anlagen niemals einschalten, wenn leicht entzündliche Luftverunreinigungen vermutet werden.

3. Die Anlage darf keinesfalls bei Müdigkeit sowie nach dem Konsum von Alkohol, Drogen oder Medikamenten bedient werden, da die Reaktionszeit reduziert werden kann.

4. Das Gerät darf nicht betrieben werden, wenn Teile des Gehäuses entfernt wurden. Türen oder Abdeckungen dürfen zu Prüfzwecken und für geplante Kontrollen kurzzeitig geöffnet werden. Gehörschutz wird dringend empfohlen.



Bei manchen Geräten können offene Türen oder fehlende Abdeckungen während des Betriebs zu Überhitzung führen.

5. Wird beim Heizen des Gebäudes Druckluft zur Anlagenkühlung verwendet, muss die Luft gefiltert werden, damit sie zum Atmen geeignet ist.

6. Folgende Punkte sind regelmäßig zu kontrollieren:

- Vorhandensein von Sicherheitsvorrichtungen
- Zustand und Dichtigkeit sämtlicher Schläuche und Rohrleitungen
- Lecks

- Festigkeit von Halterungen und Strukturbauteilen
- Zustand und Sicherheit der elektrischen Leitungen und Kontakte
- Funktionstüchtigkeit und Sauberkeit von Sicherheitsvorrichtungen
- Funktionstüchtigkeit von Strukturbauteilen und Anzeichen von Verschleiß

1.5 Sicherheitshinweise für die Wartung und Reparatur



Der Benutzer trägt die volle Verantwortung für Verletzungen oder Schäden, die während der Montage, des Betriebs, der Wartung sowie aufgrund von unberechtigter Nutzung der Anlage auftreten.

1. Es sind ausschließlich original Ersatz- und Austauschteile zugelassen. Die Verwendung von Ersatzteilen anderer Hersteller kann zu unvorhersehbaren Ergebnissen und somit zu Unfällen führen.
2. Bei Montage- und Reparaturarbeiten ist stets eine Schutzbrille zu tragen!
3. Vor dem Anschließen oder Trennen von Geräten sind diese vom Hauptdruckluftsystem zu trennen. Stellen Sie sicher, dass die Schläuche nicht unter Druck stehen!
4. Vor Beginn von Montagearbeiten oder sonstigen Arbeiten muss sichergestellt werden, dass die Anlage nicht unter Druck steht. Es dürfen niemals Montagearbeiten an Anlagen, die unter Druck stehen, durchgeführt werden.
5. Sämtliche Wartungsarbeiten dürfen erst ausgeführt werden, wenn die Bauteile auf Raumtemperatur abgekühlt sind.
6. Verwenden Sie niemals leicht entzündliche Lösungsmittel oder Tetrachlormethan zur Reinigung von Strukturbauteilen. Treffen Sie entsprechende Vorkehrungen gegen giftige Dämpfe von Reinigungsmitteln.
7. Während Montage- und Reparaturarbeiten sollte ein Hinweisschild am Bedienfeld angebracht sein, das vor unbefugtem Einschalten warnt. Beispiel: „Nicht einschalten. Gefahr für Bedienpersonal!“
8. Der Bediener, der das Gerät fernsteuert, muss sicherstellen, dass zu dem Zeitpunkt keine Montage- oder anderen Arbeiten an der Anlage durchgeführt werden. Folgender Warnhinweis muss gut sichtbar am Gerät angebracht sein: Siehe 1.3.9.
9. Halten Sie das Gebäude, in dem das Gerät steht, sauber. Schließen Sie offene Zu- und Abläufe während der Montage mit trockenen Lappen oder Papier, um zu verhindern, dass Schmutz in die Anlage gelangt.
10. Schweißarbeiten oder ähnliche Arbeiten dürfen nicht in unmittelbarer Nähe von Anlagen und Behältern, die unter Druck stehen, durchgeführt werden

11. Schalten Sie die Anlage bei Verdacht auf Überhitzung, Entzündung sowie in anderen Notsituationen umgehend aus. Schalten Sie die Anlage sofort stromlos. Öffnen Sie Türen der Anlage erst, wenn sie sich auf Raumtemperatur abgekühlt hat, um Verbrennungen oder Verletzungen zu vermeiden

12. Offene Flammen dürfen nicht als Lichtquelle für Inspektionen und Kontrollen der Anlage genutzt werden.

13. Verwenden Sie niemals ätzende Lösungsmittel, die Materialien im Druckluftsystem beschädigen könnten.

14. Stellen Sie nach Montagearbeiten oder anderen Arbeiten sicher, dass keine Werkzeuge, Lappen oder Ersatzteile im Gerät zurückgelassen wurden.

15. Achten Sie besonders auf die Sicherheitsventile. Kontrollieren Sie sie gründlich und entfernen Sie Staub und Schmutz. Ihre Funktion darf unter keinen Umständen beeinträchtigt sein. Denken Sie immer daran, dass Ihre Sicherheit von ihrer Funktionstüchtigkeit abhängt!

16. Stellen Sie nach Wartungs- oder Reparaturarbeiten und vor Beginn des Betriebs im normalen Modus sicher, dass der Betriebsdruck, die Temperatur und andere Werte richtig eingestellt sind. Stellen Sie sicher, dass alle Steuergeräte installiert sind und einwandfrei funktionieren.

17. Wischen Sie beim Wechsel von Filtern, Abscheidern usw. Staub-, Schmutz- und Ölablagerungen an der jeweiligen Stelle mit einem trockenen Tuch ab.

18. Schützen Sie Motor, Luftfilter, elektrische Komponenten, Steuerkomponenten usw. vor Kontakt mit dem Kondensat. Blasen Sie sie zum Beispiel mit trockener Luft ab.

19. Sicherheitshinweise für den Umgang mit Kältemittel:

- Niemals Kältemitteldämpfe einatmen. Stellen Sie sicher, dass der Arbeitsbereich gut belüftet ist. Bei Bedarf Atemschutz tragen.

- Tragen Sie immer Spezialhandschuhe. Wenn Kältemittel mit der Haut in Kontakt kommt, spülen Sie die betroffene Stelle mit reichlich Wasser ab. Wenn Kältemittel durch Kleidung hindurch mit der Haut in Kontakt kommt, versuchen Sie nicht, die Kleidung zu entfernen. Spülen Sie die Kleidung stattdessen gründlich mit klarem Wasser aus, bis das Kühlmittel ausgewaschen wurde. Suchen Sie anschließend einen Arzt auf.

Tragen Sie bei Montage- und Reparaturarbeiten (wie z. B. bei einem Ölwechsel) Schutzhandschuhe, um Verbrennungen und Verletzungen zu vermeiden.

2. Technische Daten und Funktionsbeschreibung

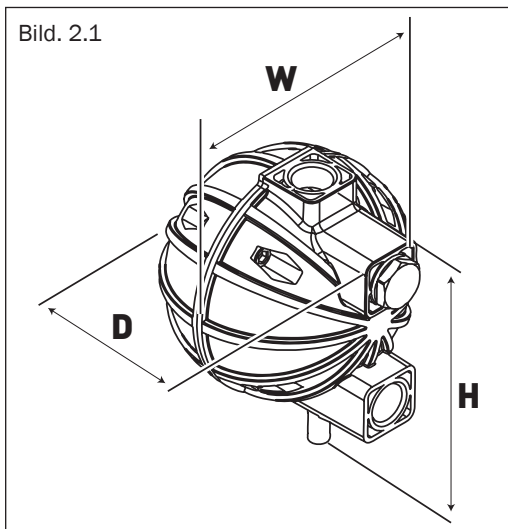


Die Garantie erlischt in folgenden Fällen.

- Es existiert kein Serviceheft für den Kompressor, oder wurde falsch ausgefüllt.
- Die Wartungsarbeiten wurden nicht in das Serviceheft eingetragen.
- Es wurden keine Originalteile verwendet.

2.1 Technische Daten

Bild. 2.1



Max. Betriebsdruck: 12 bar
 Max. Betriebstemperatur: 50 °C
 Min. Betriebstemperatur: 2 °C

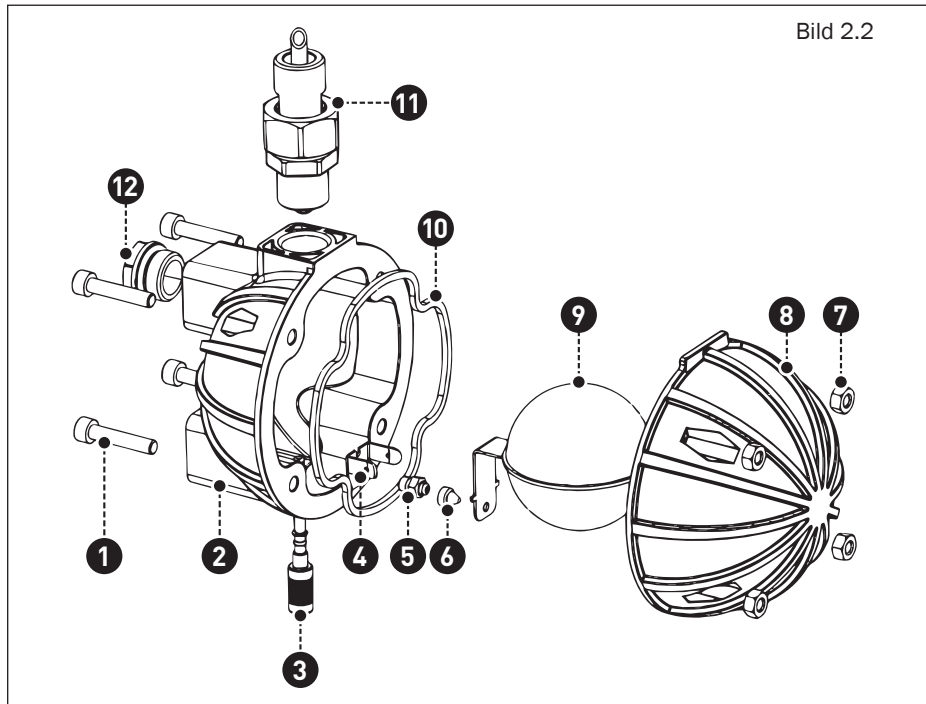
Tab. 1 Technische Daten

Allgemeine technische Daten	0 – 13 bar
Empfohlener Mindestbetriebsdruck	1,5 bar (Manometerdruck)
Ablassdurchsatz (7 bar / 101 psi)	2,8 l/min
Ablassdurchsatz (13 bar / 185 psi)	3,4 l/min
Betriebstemperaturbereich	1,5 – 50 °C
Betriebsmedien	Kondensat (Luft, Wasser, Öl); nicht aggressiv
Einlassanschluss	G ½"
Auslassanschluss	G ½"
Tankvolumen	0,4 l
Masse	0,6 kg
Abmessungen W x H x D [mm]	115 x 141 x 122
Ventiltyp	direktwirkend, Öffner

2.2 Allgemeine Beschreibung

Ein FD Schwimmer-Ablassventil ist die effektivste Lösung zur Abrundung eines Kondensatsystems. Es funktioniert ganz ohne Druckluftverlust, ist einfach zu installieren und erfordert keinen Netzstrom. Es beinhaltet ein Ventil zum Spülen des Systems, für die Funktionsprüfung sowie die Steuerung.

2.3 Funktionsschaubild und Hauptkomponenten



- | | |
|----------------------|--------------------------------|
| 1. M6 Schrauben | 7. M6 Muttern |
| 2. Ablassgehäuse | 8. Ablassgehäuse |
| 3. Manueller Ablass | 9. Schwimmer |
| 4. Halterung | 10. Gehäusedichtung |
| 5. Dichtring Öffnung | 11. Anschlussnippel (Optional) |
| 6. Dichtungsloch | 12. Verschlusspropfen 1/2" |

2.4 Funktionsbeschreibung

Das Ablassventil wird unter einem Druckbehälter, Filterelement, Trockner, Zyklonabscheider oder einem ähnlichen Teil der Druckanlage installiert. Durch den G-0,5-Zoll-Anschluss an

der Oberseite läuft das Kondensat in den Ablassbehälter ein und sammelt sich dort. Mit zunehmendem Wasserstand steigt auch der Schwimmer. Sobald der Kondensatstand eine gewisse Höhe erreicht, gibt der Schwimmer die Auslassöffnung frei und das Kondensat läuft durch den G-0,5-Zoll-Auslassanschluss ab. Sinkt der Kondensatstand, sinkt auch der Schwimmer und blockiert die Auslassöffnung. Dadurch wird ein Druckluftverlust verhindert.

2.5 Eigenschaften

- Funktioniert mit Öl-verschmutztem Kondensat
- Keinerlei Druckluftverlust
- Ein Stromanschluss ist nicht erforderlich.
- Einfache Installation, ganz ohne Konfiguration oder Prüfung
- Zuverlässige und langlebige Konstruktion

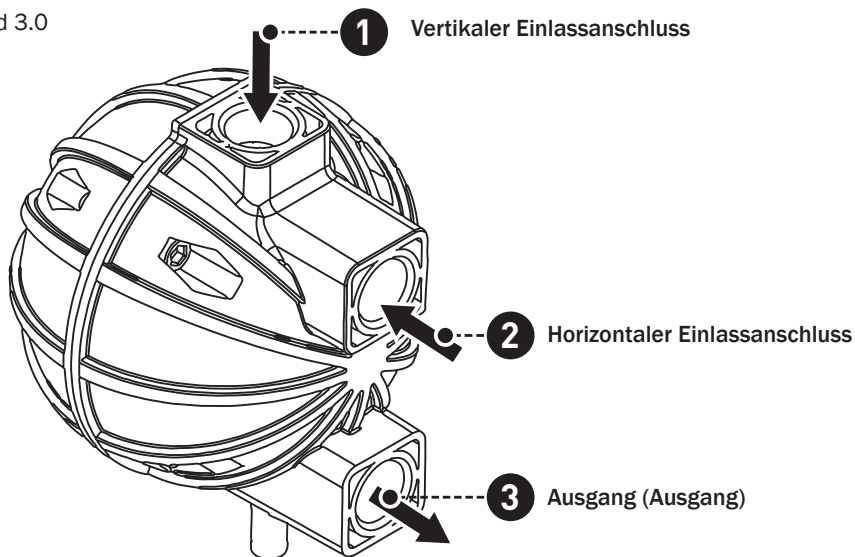
3. Inbetriebnahme

3.1 Sicherheitsüberprüfung



Überprüfen Sie, dass die vorgegebenen Betriebsdaten der Typenschilder eingehalten werden

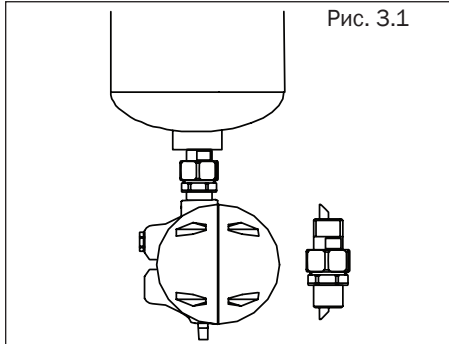
Bild 3.0



3.2 Installation

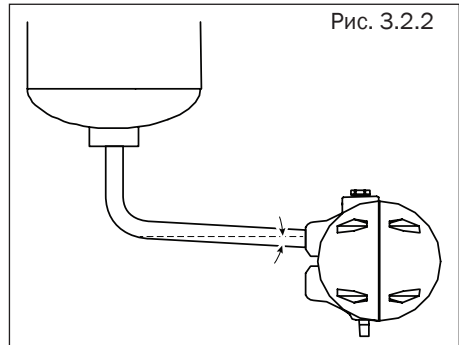
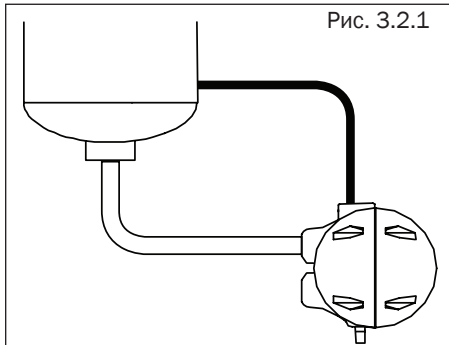


Mindestens einmal pro Woche überprüfen ob das Kondensatablassventil ordnungsgemäß funktioniert.



Spülen Sie die Leitungen vor dem Anschließen des Ablassventils mit Druckluft durch, um diese gründlich zu reinigen und Verunreinigungen zu beseitigen. Montieren Sie das FD Ablassventil unterhalb des Tanks, damit sich dieser nicht mit Kondensat füllt. Installieren Sie den optionalen Anschlussnippel, um den Luftausgleich zu ermöglichen.

Der FD Ablassventil Tanknippel ist ohne zusätzliche Rohre oder Filter anzubringen. Öffnen Sie das FD Ablassventil nach der ersten Inbetriebnahme und reinigen Sie alle Komponenten.



Es wird dringend empfohlen, das aus der Ablassöffnung austretende Kondensat zu Umweltschutzzwecken und zur Einhaltung geltender Umweltschutzauflagen in eine Wasseraufbereitungsanlage wie einen WOS Öl-Wasser-Abscheider zu leiten. Überprüfen Sie das Ablassventil einmal im Jahr auf sichtbare Schäden oder Lecks. Reinigen Sie das Innere des Tanks regelmäßig. Reinigungsintervalle hängen vom Verunreinigungsgrad des Kondensats ab. Wechseln Sie bei Bedarf die Dichtungen aus. Wir empfehlen, zwischen Druckbehälter und Einlass einen Kugelhahn zu verwenden. Wir empfehlen, zwischen Druckbehälter und Einlass ein Sieb einzubauen. Wir empfehlen, den Nippel mit einem Entlüftungsrohr zu nutzen, um die Bildung von Luftblasen zu vermeiden. Der Nippel ist optional und wird bei Bedarf am Einlassanschluss angeschraubt.

3.3 Voraussetzungen an das Arbeitsumfeld



Schützen Sie das FD Ablassventil vor Niederschlägen und anderen extremen Wetterverhältnissen.
Sorgen Sie für ein staubfreies Arbeitsumfeld.

4. Wartung

WÖCHENTLICH:

Öffnen Sie das Ventil der Auslassöffnung (durch vorsichtiges Aufschrauben) und lassen Sie das Kondensat abfließen, bis Druckluft einige Sekunden lang hindurchströmt wird. Wenn eine größere Menge Wasser (mehr als 0,5 Liter) abfließt, muss das Ablassventil gründlich gereinigt werden.

JÄHRLICH:

Bauen Sie das Ablassventil auseinander und reinigen Sie alle Komponenten. Verwenden Sie keine Lösungsmittel an Gummitteilen.

Es wird empfohlen, den Tank mindestens einmal im Jahr zu reinigen. Dichtungselemente unterliegen stetigem Verschleiß. Dieser ist von unterschiedlichen Betriebsparametern wie Druck, Temperatur, Verunreinigungsgrad etc. abhängig. Sie sollten regelmäßig ausgewechselt werden.

5. Lagerbedingungen

Das Schwimmerablassventil sollte an einem trockenen, staubfreien Ort gelagert werden.

© Comrag ®. Все права защищены.

Перепечатка текста и / или использование графики. допускается только с письменного разрешения Comrag®.

Производитель оставляет за собой право без уведомления потребителя вносить изменения в конструкцию изделий для улучшения их технологических и эксплуатационных параметров.

Вид изделий может незначительно отличаться от представленных на изображениях.

Содержание

1	Меры безопасности	28
2	Устройство	30
3	Установка	32
4	Техническое обслуживание	35
5	Хранение	35

1. Меры безопасности

Перед использованием любого конденсатоотводчика поплавкового типа FD, далее по тексту – оборудования, оператор должен прочесть и уяснить содержание данного документа. К работе с оборудованием допускается только обученный персонал.

1.1 Введение

Данное руководство должно храниться вблизи от оборудования в доступном для обслуживающего персонала месте. К эксплуатации, техническому обслуживанию и ремонту оборудования Comtrag допускается только обслуживающий персонал с соответствующей степенью профессиональной подготовки.

1.2 Общие меры безопасности

Поврежденные детали оборудования должны заменяться сразу же после выхода из строя. Изношенные детали оборудования должны заменяться своевременно.

В случае перегрева внутренних деталей оборудования или в случае подозрений на перегрев оборудование должно быть немедленно выключено. Поддерживайте рабочую зону оборудования в чистоте.

1.3 Меры безопасности при эксплуатации

Не превышайте диапазонов максимального рабочего давления или температуры. Если доставка оборудования осуществлялась в холодный сезон, то после разгрузки в теплом помещении необходимо выдержать оборудование не менее 12 часов перед вскрытием упаковки. Это позволит избежать выпадения конденсата на внутренних деталях оборудования.

Для исключения попадания влаги в пневмосистему, подачу сжатого воздуха от компрессора необходимо начинать не ранее, чем через 10 минут после включения оборудования.

Запрещается использовать оборудование во взрывоопасной среде, в присутствии воспламеняемых материалов, токсичных паров.

Перед подсоединением или отсоединением рукава сжатого воздуха удостоверьтесь в отсутствии давления в рукаве перед отсоединением рукава от оборудования.

Перед началом работы необходимо проверить, что все соединения сжатого воздуха надежно закреплены и на них отсутствуют повреждения.

Запрещается устанавливать дополнительные аксессуары, такие как масленка, влагоотделитель и др. непосредственно на входное и выходное отверстие сжатого воздуха оборудования.

Во время работы запрещается отсоединять воздушный рукав, если по нему в этот момент подается сжатый воздух.

Запрещается использовать изношенные, поврежденные или испорченные рукава сжатого воздуха.

Запрещается использовать рукава сжатого воздуха, неподходящие оборудованию по диаметру и рабочему давлению.

При возникновении чрезмерной вибрации, шума, запаха и другой аномальной ситуации выключите оборудование.

1.4 Меры безопасности при техобслуживании и ремонте

Использование оборудования не по назначению, внесение конструктивных изменений, нарушение правил эксплуатации может привести к получению увечий или смерти;

Запрещается внесение конструктивных изменений в оборудование. Гарантия на модифицированное оборудование не действует;

Разрешается использовать только оригинальные запасные части и вспомогательные принадлежности;

Все работы по техническому обслуживанию должны производиться при выключенном оборудовании, с отсоединенными от оборудования рукавами сжатого воздуха, работы необходимо проводить в защитных очках;

После завершения технического обслуживания никогда не оставляйте инструменты, детали, ветошь, тряпки, одежду и т.п. на корпусе оборудования;

Запрещается для очистки оборудования использовать легковоспламеняющиеся растворители;

Запрещается проводить сварочные или слесарные работы вблизи оборудования;

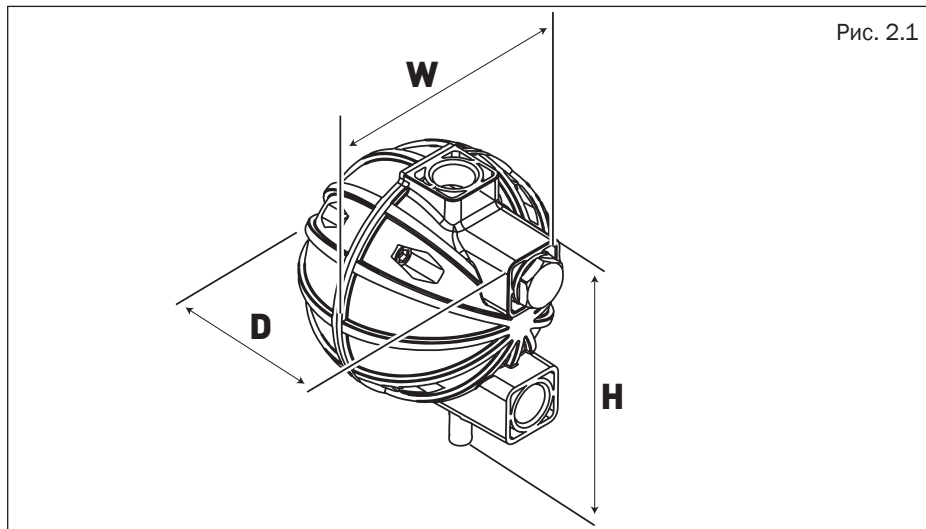
После завершения технического обслуживания или ремонта удостоверьтесь, что рабочее давление, температура соответствуют номинальным значениям;

2. Устройство

2.1 Назначение

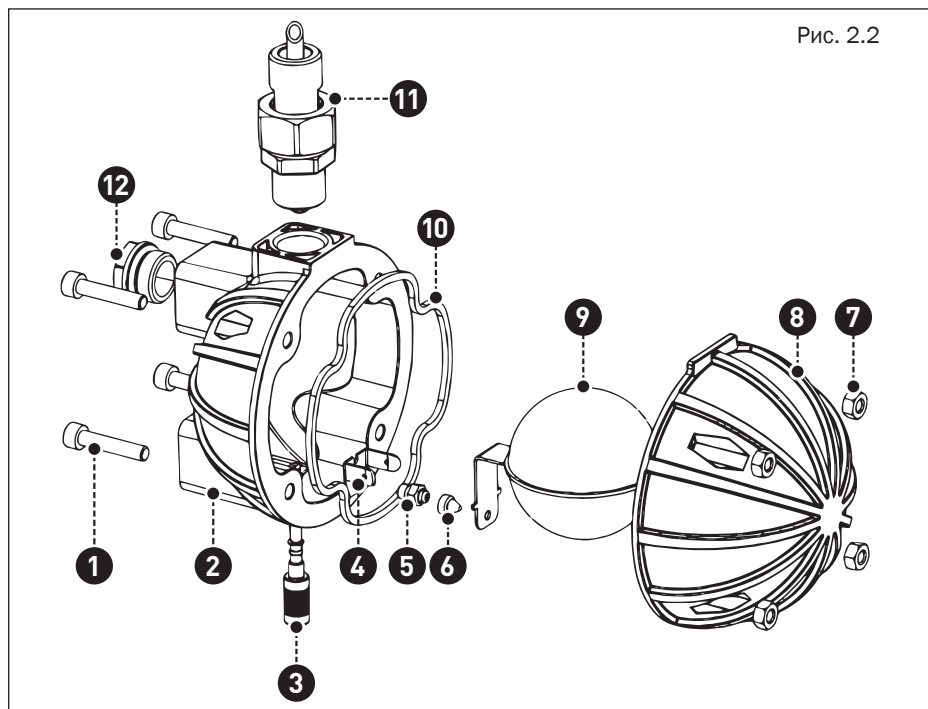
Конденсатоотводчик FD предназначен для вывода конденсата из систем сжатого воздуха (воздушные компрессоры, ресиверы для сжатого воздуха, осушители сжатого воздуха и фильтры).

2.2 Технические данные и внешний вид



Диапазон рабочего давления	0 – 13 бар
Минимальное рекомендуемое рабочее давление	1,5 бар (изб.)
Производительность (7 бар)	2,8 л/мин
Производительность (13 бар)	3,4 л/мин
Диапазон рабочих температур	1,5 – 50 °С
Рабочая среда	Конденсат (воздух, вода, масло); Неагрессивная среда
Соединение на входе	G ½"
Соединение на выходе	G ½"
Объем резервуара	0,4 л
Масса	0,5 кг
Размеры W x H x D [мм]	115 x 141 x 122
Тип клапана	Клапан прямого действия, обычно закрыт

2.3 Компоненты



1. Винты М6

2. Корпус дренажного устройства

3. Испытательный рычаг

4. Держатель поплавка

5. Герметизирующий ниппель

6. Уплотнение отверстия

7. Гайки М6

8. Корпус дренажного устройства

9. Поплавок

10. Уплотнение корпуса

11. Соединительный ниппель (опция)

12. Заглушка ½” с уплотнительным кольцом

2.4 Комплект поставки

Конденсатоотводчик – 1 шт.

Упаковка – 1 шт.

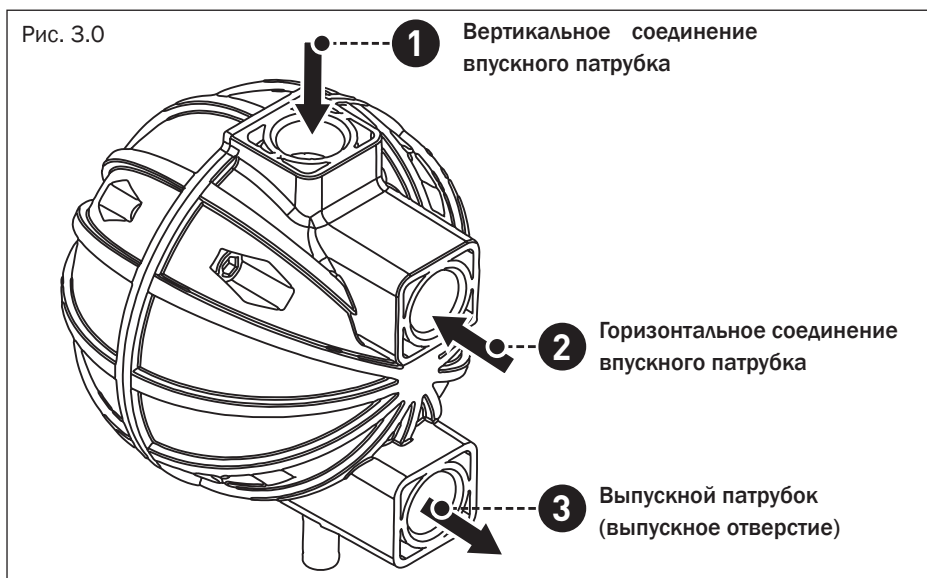
Руководство по эксплуатации - 1 шт.

3. Установка



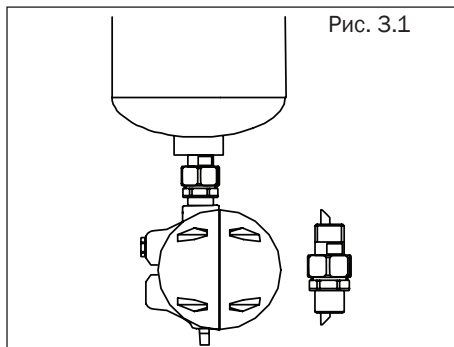
Установка должна производиться в соответствии с инструкциями, изложенными в разделе «Установка». Установка, отличная от изложенной в данном разделе, будет считаться несоответствующей. Мы не несем никакой ответственности за любой ущерб, причиненный в результате этого.

Конденсатоотводчик оснащен двумя возможными вариантами подсоединения впускных патрубков (вертикальное (1) и горизонтальное (2)). Исходя из количества места под оборудованием, работающим под давлением, выберите один из вариантов подсоединения дренажного устройства.



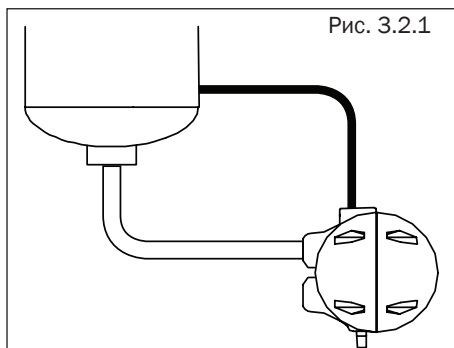
3.1 Вертикальное соединение впускного патрубка

Подсоедините сливное устройство к вертикальному впускному патрубку и заглушите горизонтальный патрубок. В таком варианте рекомендуется использовать соответствующий ниппель. Ниппель предотвращает образование пузырьков воздуха, которые перекрывают путь,

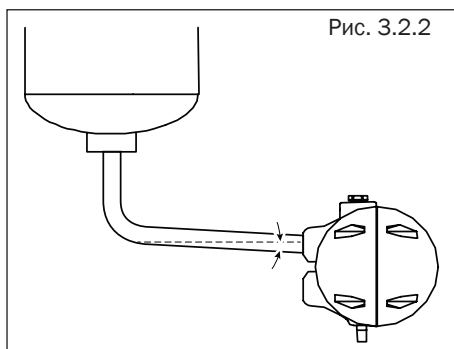


по которому конденсат стекает в резервуар. Воздух, попавший в резервуар дренажного устройства, может пройти обратно к оборудованию, работающему под давлением, через предназначенную для этого трубу в ниппеле, позволяя конденсату стекать в резервуар.

3.2 Горизонтальное соединение впускного патрубка



Используйте вертикальное соединение для установки вентиляционной линии для оборудования, работающего под давлением (например, сосуда под давлением). Вентиляционная линия предотвращает образование пузырьков воздуха, обеспечивая постоянный поток конденсата в дренажное устройство.



Если не используется вентиляционная линия. Сливная труба должна быть наклонена в сторону отвода конденсата, чтобы воздух мог выходить из трубы и дренажного устройства.



Если вентиляционная линия не используется, убедитесь, что неиспользуемые впускные патрубки герметично закрыты!

3.3 Процедура установки

Вывод конденсата из конденсатоотводчика рекомендуется производить в систему его очистки, для предотвращения загрязнения окружающей среды.

Установите конденсатоотводчик под сосуд под давлением, в противном случае конденсат не будет выводиться из системы. Расстояние от нижней точки сосуда под давлением, до ближайшей поверхности или до пола должно составлять не менее 200 мм в вертикальной плоскости.

Установка:

- Перед установкой конденсатоотводчика продуйте систему для удаления в ней загрязнений.
- Убедитесь, что в системе нет давления.
- Визуально осмотрите дренажное устройство на наличие повреждений, которые могут повлиять на его работу.
- Выберите подходящий способ установки (горизонтальное или вертикальное подсоединение впускного патрубка)
- Убедитесь, что в дренажной линии нет загрязнений, которые могут забить дренажное устройство.
- Установите дренажное устройство на оборудование, работающее под давлением
- Медленно повышайте давление в системе.

4. Техническое обслуживание

Раз в неделю:

Откройте, аккуратно открутив, ручной отводчик (4) и позвольте конденсату полностью выйти, пока сжатый воздух не начнет выходить в течение нескольких секунд.

Раз в год:

1. Произведите визуальный осмотр конденсатоотводчика для выявления визуальных повреждений или утечек.
2. Разберите конденсатоотводчик и очистите все составные части. Не используйте растворители для очистки резиновых частей.



Перед проведением технического обслуживания сбросьте давление в устройстве.

5. Хранение

Хранение конденсатоотводчика допускается при температуре от +5° до +40°С при относительной влажности воздуха не более 85%.

